

1163

ADJUSTMENT MANUAL

This Adjustment Manual is valid for machines
from the following serial numbers onwards:

6 001 000 →

The reprinting, copying or translation of PFAFF Adjustment Manuals, whether in whole or in part, is only permitted with our previous authorization and with written reference to the source.

**PFAFF Industriesysteme
und Maschinen AG**

Hans-Geiger-Str. 12 - IG Nord
D-67661 Kaiserslautern

	Contents	Page
13	Adjustment	4
13.01	Notes on adjustment	4
13.02	Tools, gauges and other accessories for adjusting	4
13.03	Abbreviations	4
13.04	Explanation of the symbols.....	4
13.05	Adjusting the basic machine	5
13.05.01	Pre-adjusting the needle height	5
13.05.02	Setting the bottom feed dog at its neutral position.....	6
13.05.03	Bottom feed dog motion.....	7
13.05.04	Bottom feed dog position	8
13.05.05	Needle rise, hook clearance, needle height and bobbin case position finger	9
13.05.06	Thread check spring and thread regulator.....	10
13.05.07	Knee lever stop.....	11
13.05.08	Presser foot pressure	12
13.06	Adjusting the thread trimmer -900/93.....	13
13.06.01	Adjusting the synchronizer.....	13
13.06.02	Adjusting the control cam.....	14
13.06.03	Position of the stationary knife	15
13.06.04	Needle thread tension release.....	16
13.07	Adjusting the thread wiper -909/93.....	17
13.08	Adjusting the automatic presser foot lift -910/93	18
13.09	Adjusting the backtacking mechanism -911/93	19
13.10	Parameter settings	20
13.10.01	Parameter list.....	20
14	Block diagram PFAFF 1163 with control unit P43 PD	21

13 Adjustment



Please observe all notes from Chapter 1 Safety of the instruction manual! In particular care must be taken to see that all protective devices are refitted properly after adjustment, see Chapter 1.06 Danger warnings of the instruction manual!

If not otherwise stated, the machine must be disconnected from the electrical power supply.

Danger of injury due to unintentional starting of the machine!

13.01 Notes on adjustment

All following adjustments are based on a fully assembled machine and may only be carried out by expert staff trained for this purpose. Machine covers, which have to be removed and replaced to carry out checks and adjustments, are not mentioned in the text.

The order of the following chapters corresponds to the most logical work sequence for machines which have to be completely adjusted. If only specific individual work steps are carried out, both the preceding and following chapters must be observed.

Screws, nuts indicated in brackets () are fastenings for machine parts, which must be loosened before adjustment and tightened again afterwards.

13.02 Tools, gauges and other accessories for adjusting

- 1 set of screwdrivers with blade widths from 2 to 10 mm
- 1 set of wrenches with jaw widths from 7 to 14 mm
- 1 set of Allan keys from 1.5 to 6 mm
- 1 metal rule, (Part No. 08-880 218-00)

13.03 Abbreviations

TDC = top dead center

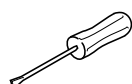
BDC = bottom dead center

13.04 Explanation of the symbols

In this adjustment manual, symbols emphasize operations to be carried out or important information. The symbols used have the following meaning:



Note, information



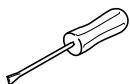
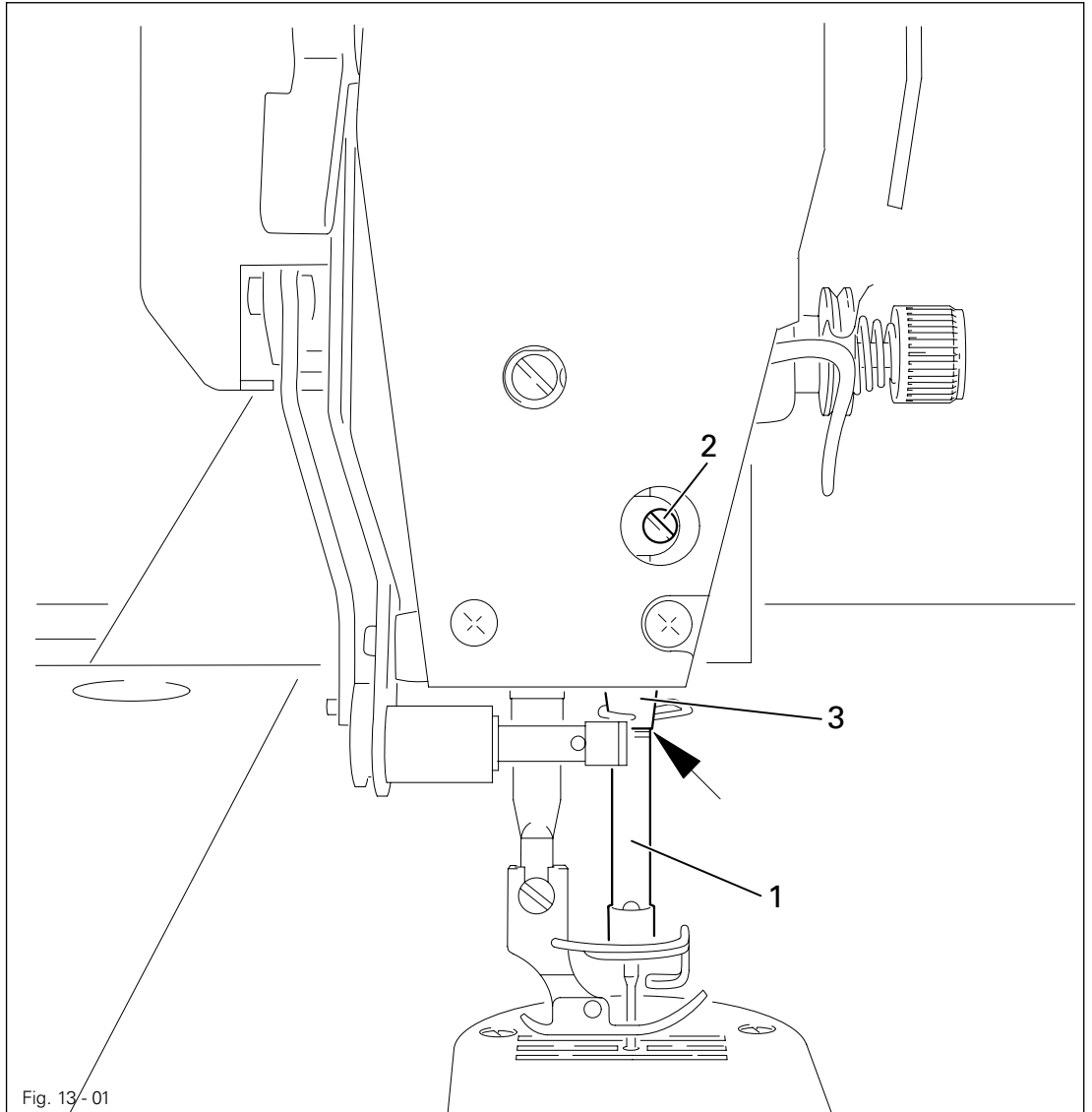
Service, repair, adjustment, maintenance
(work to be carried out by qualified staff only)

13.05 Adjusting the basic machine

13.05.01 Pre-adjusting the needle height

Requirement

With the needle bar at b.d.c., the top marking on needle bar **1** should be level with the bottom edge of bushing **3**.



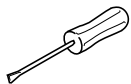
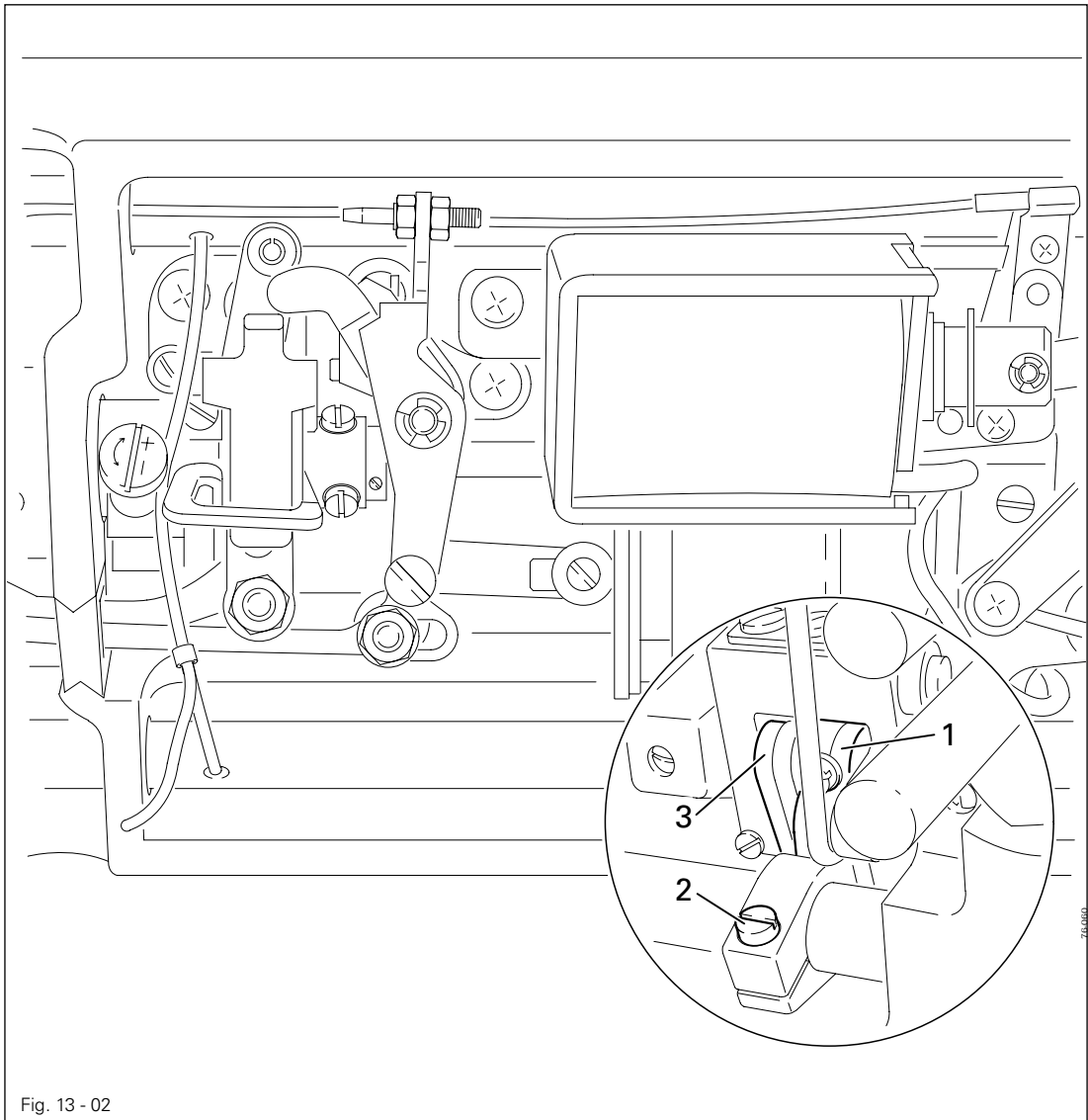
- By turning the balance wheel, bring the needle bar to its b.d.c.
- Without twisting it, adjust needle bar **1** (screw **2**) in accordance with the **requirement**.

Adjustment

13.05.02 Setting the bottom feed dog at its neutral position

Requirement

With the stitch length set at "0", cranks 1 and 3 should be in alignment, and there should be no feeding motion of the bottom feed dog when the balance wheel is turned.

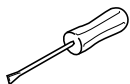
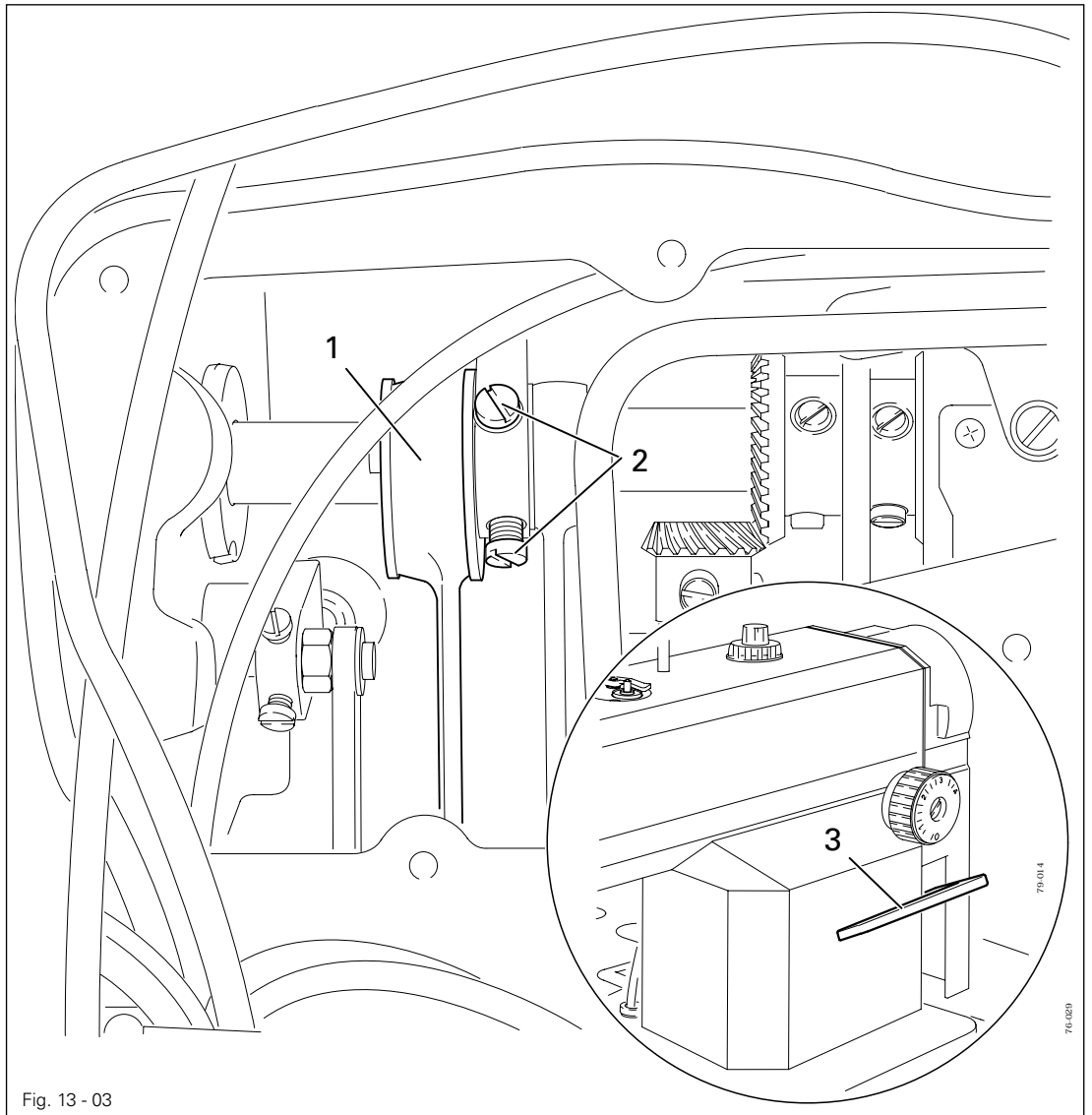


- Raise the presser foot and set the stitch length at "0".
- Adjust crank 1 (screw 2) in accordance with the **requirement**.

13.05.03 Bottom feed dog motion

Requirement

1. When the needle bar is at its t.d.c., the bottom feed dog should be in its top point of reversal when the stitch length is set at "0".
2. When the needle bar is positioned **0.6** after t.d.c. and the largest stitch length is set, the bottom feed dog should not move when the reverse feed switch **3** is operated.



- Without moving it sideways, adjust eccentric **1** (screws **2**) in accordance with the requirements.

Adjustment

13.05.04 Bottom feed dog position

Requirement

When the stitch length is set at "0" and the bottom feed dog 5 is at t.d.c., it should

1. Be positioned in the centre of the needle plate cutout in the feeding direction.
2. Its teeth should be 0.75 – 0.85 mm parallel over the needle plate.

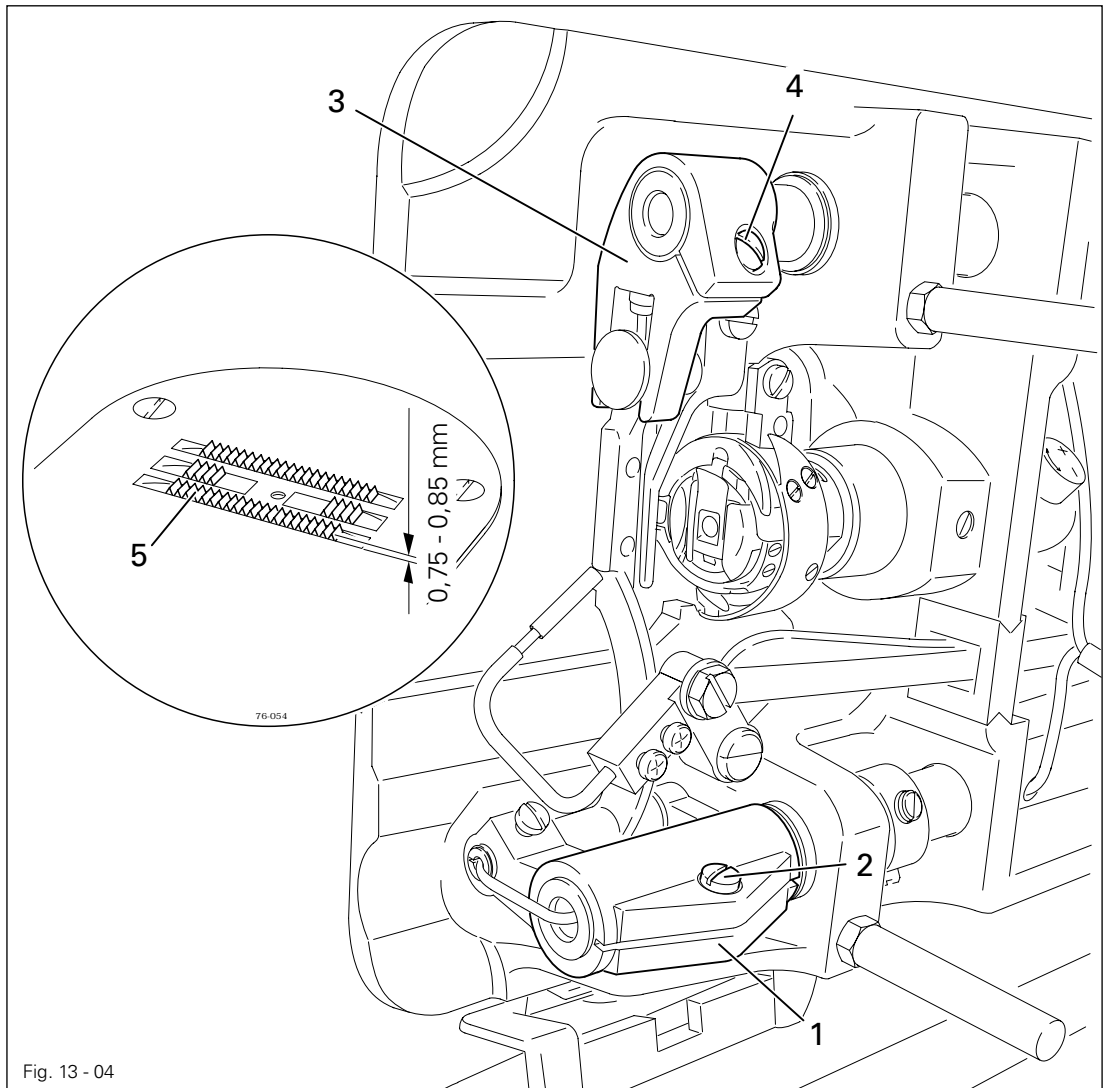
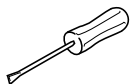


Fig. 13 - 04



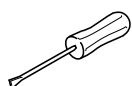
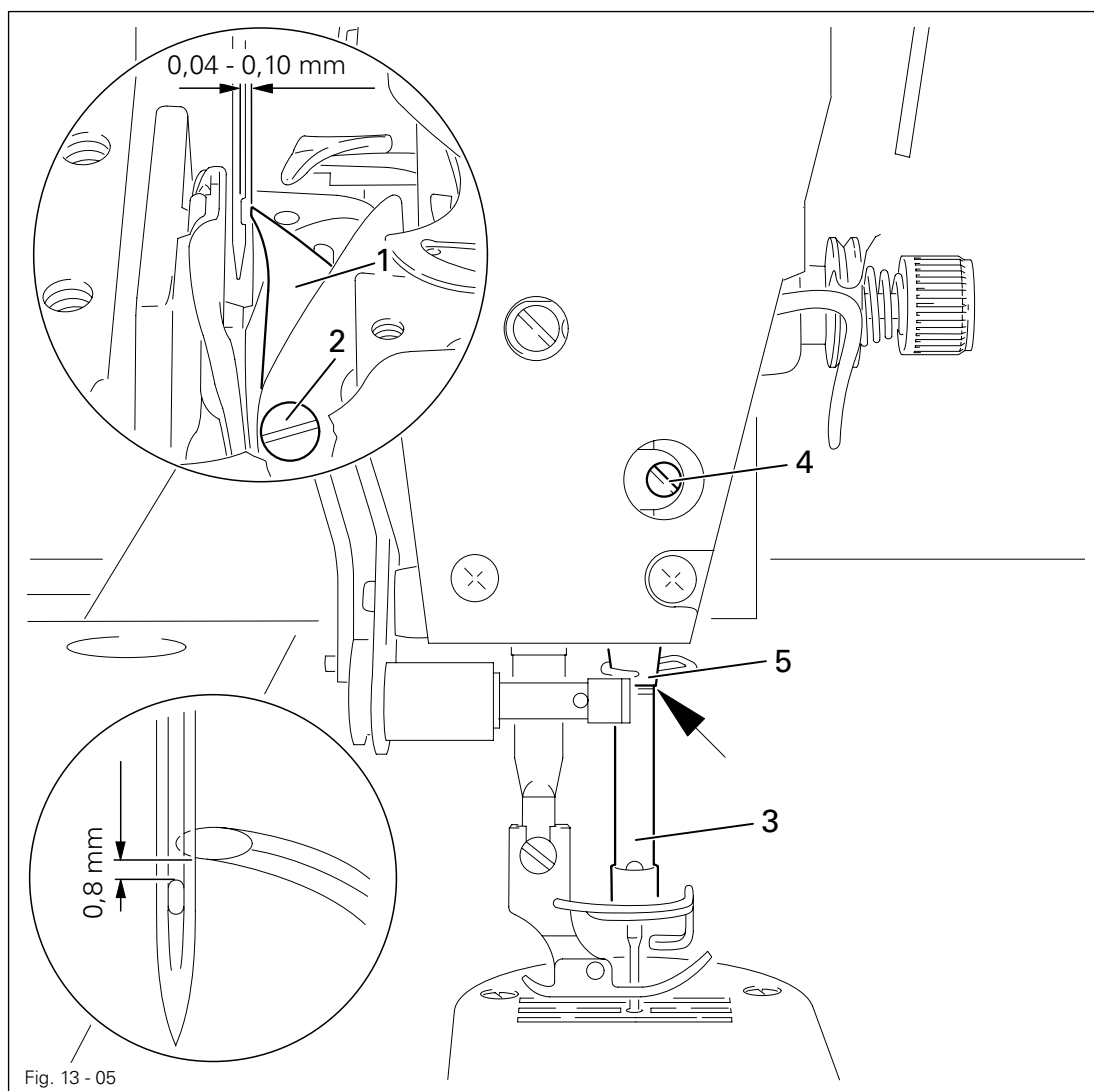
- Shift or turn crank 1 (screw 2) in accordance with requirement 1.
- Turn crank 3 (screw 4) in accordance with requirement 2.

13.05.05 Needle rise, hook clearance, needle height and bobbin case position finger

Requirement

When the bottom marking on needle bar 3 is level with the bottom edge of bushing 5

1. The point of hook 1 should be centred to the needle and at a distance of **0.04 – 0.10 mm** from the groove of the needle, and
2. The top edge of the needle eye should be **0.8 mm** below the hook point.

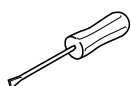
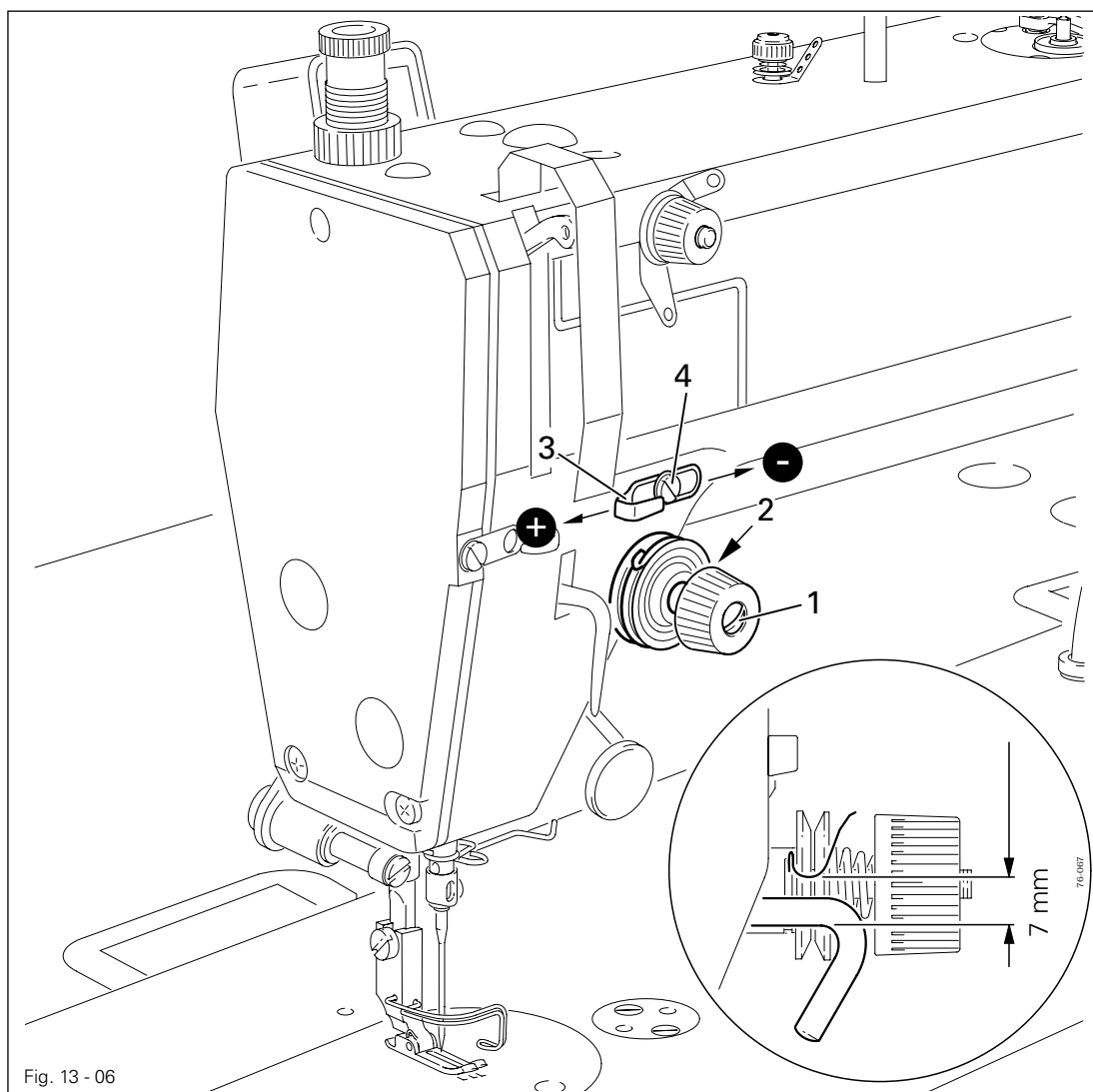


- Adjust the hook 1 (screws 2) in accordance with **requirement 1**.
- Without twisting needle bar 3 (screw 4), adjust it according to **requirement 2**.

13.05.06 Thread check spring and thread regulator

Requirement

1. The movement of the thread check spring should be completed, when the needle point penetrates the material (spring stroke approx. **7 mm**).
2. When the thread is being looped round the hook and the loop is at its largest, the thread check spring should have moved approx. **1 mm**.



- Adjust thread tension **1** (screw **2**) in accordance with **requirement 1**.
- Adjust thread regulator **3** (screw **4**) in accordance with **requirement 2**.

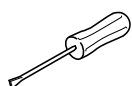
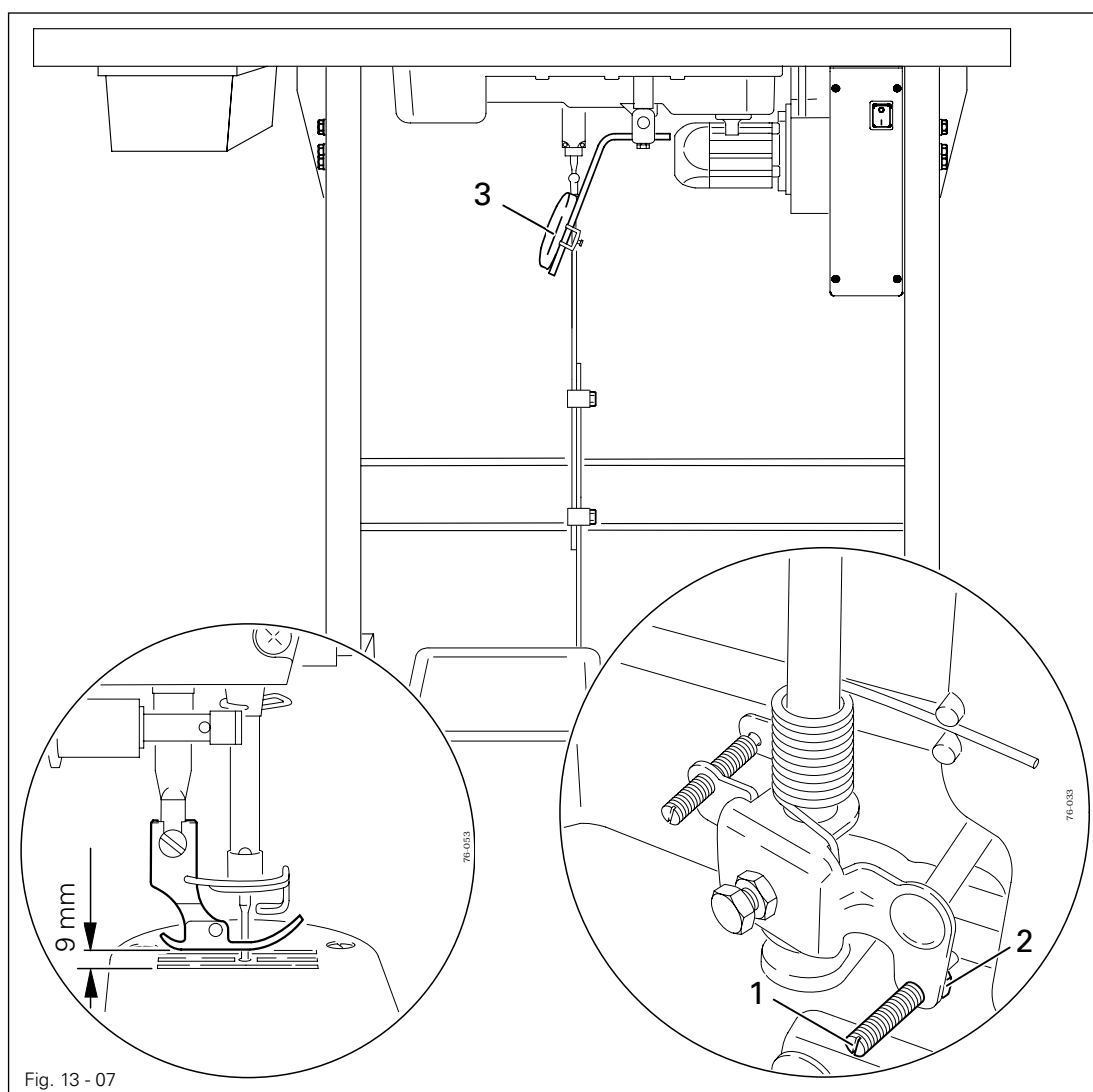


For technical reasons it may be necessary to alter the specified spring stroke:
Turn thread regulator **1** (screw **2**) towards "+" (= more thread) or towards "-"
(= less thread).

13.05.07 Knee lever stop

Requirement

When knee lever 3 has been moved as far as possible, the presser foot should rise approx. 9 mm above the needle plate.



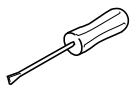
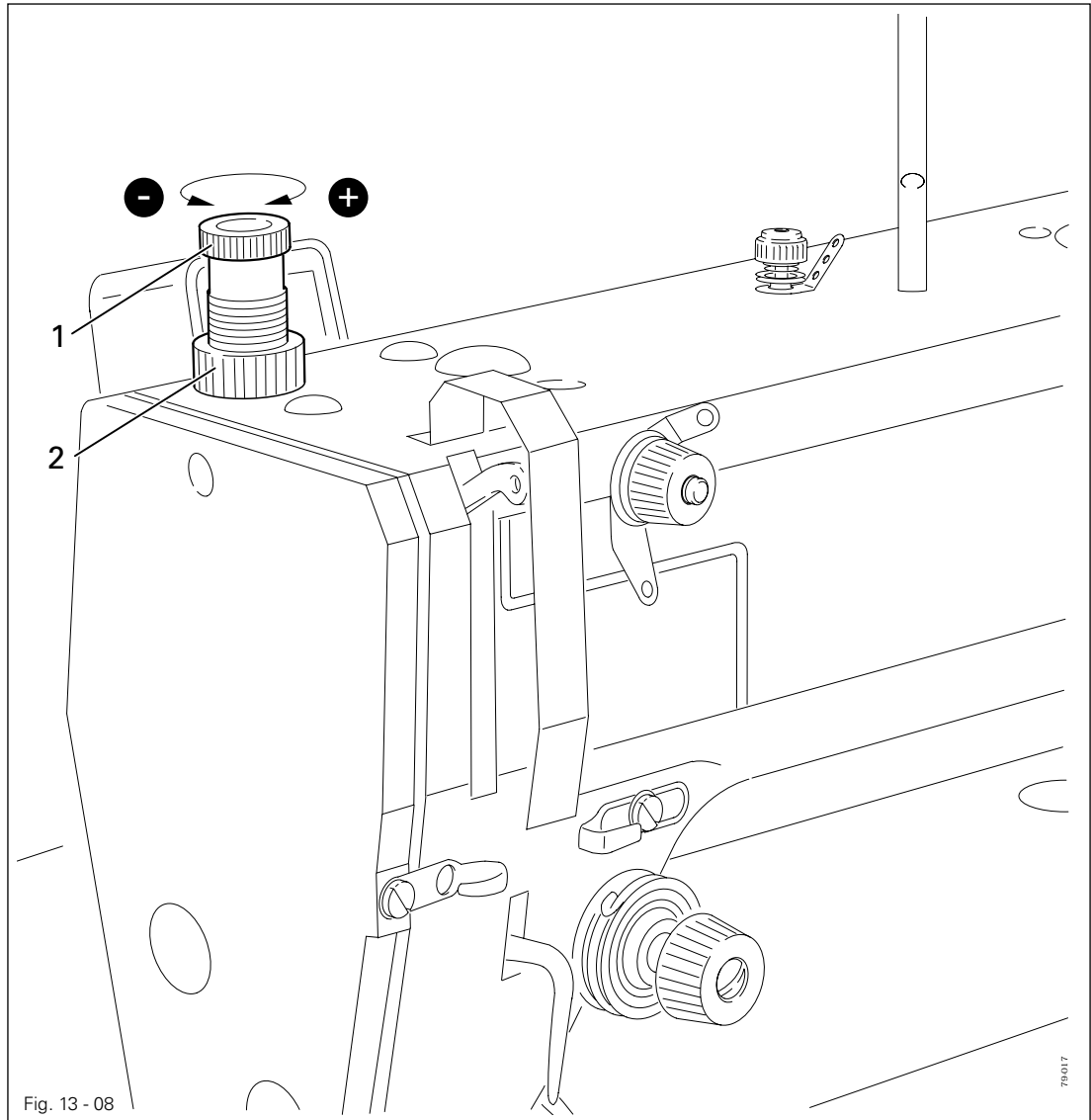
- Adjust screw 1 (nut 2) in accordance with the requirement.

Adjustment

13.05.08 Presser foot pressure

Requirement

The material should be fed without difficulty at all times and there should be no sign of pressure marks on the material.



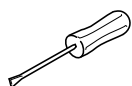
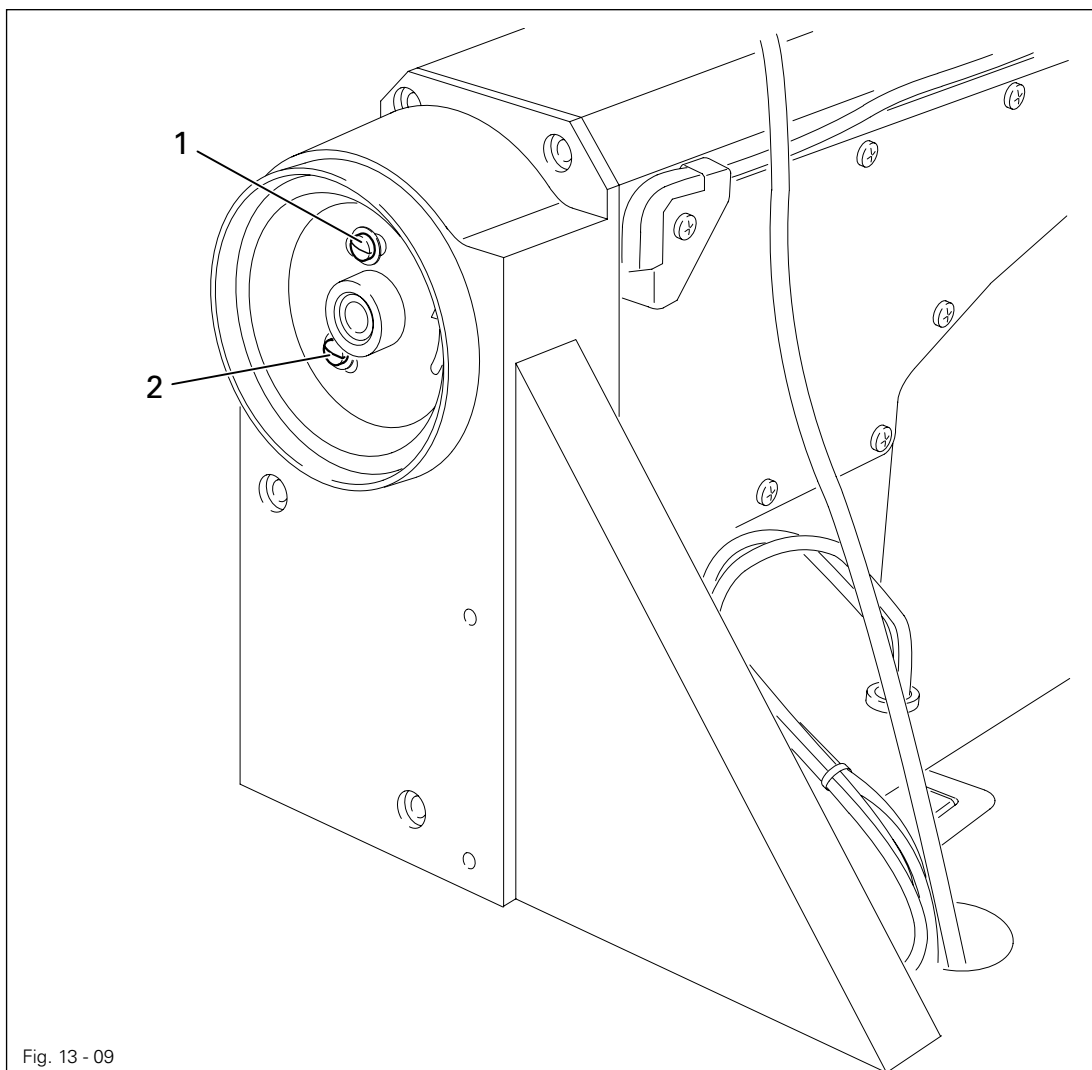
- Adjust milled screw 1 (milled nut 2) in accordance with the **requirement**.

13.06 Adjusting the thread trimmer -900/93

13.06.01 Adjusting the synchronizer

Requirement

1. When the machine has stopped it should be positioned in b.d.c. needle bar.
2. After thread trimming the machine should be positioned in t.d.c. take-up lever.



- Slightly loosen screw 1 and adjust it in accordance with **requirement 1**.
- Slightly loosen screw 2 and adjust it in accordance with **requirement 2**.



Only loosen screws 1 and 2, do not remove them completely!

Adjustment

13.06.02 Adjusting the control cam

Requirement

When the take-up lever is at its t.d.c., the cutting operation should have been concluded (roller lever is pushed out of the control cam).

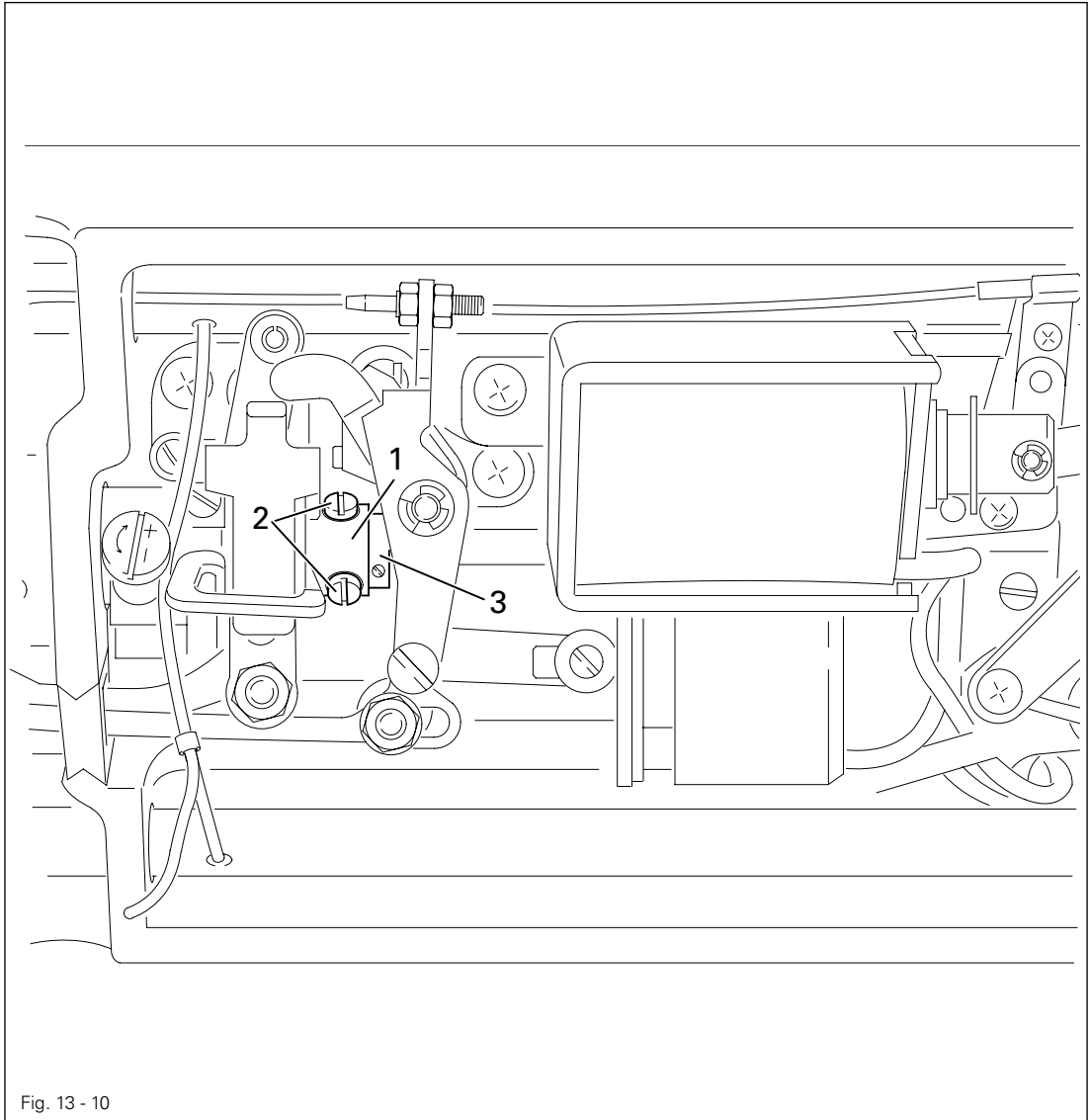
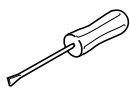


Fig. 13 - 10



- Adjust control cam 1 (screws 2) in accordance with the **requirement**.



Make sure that the control cam 1 is touching retaining collar 3, when the screws 2 are tightened!

13.06.03 Position of the stationary knife

Requirement

The centre of the stationary knife **1** should be at needle hights and should have a distance of 3.5 mm .

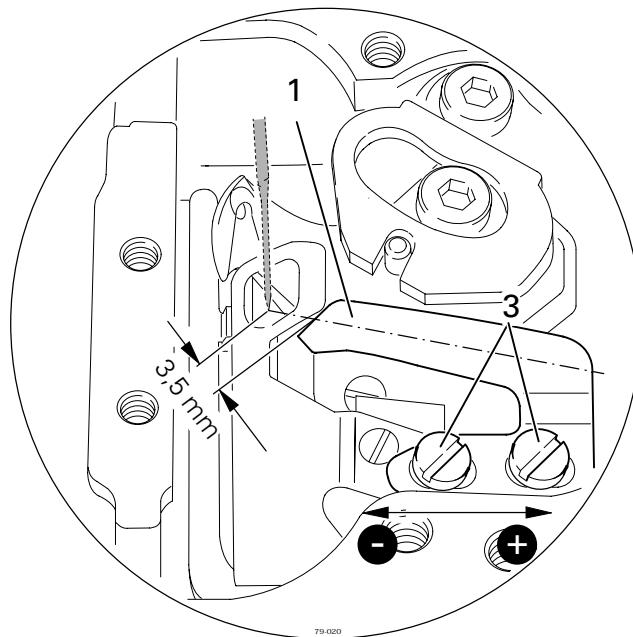
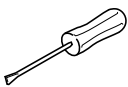


Fig. 13 - 11



- Adjust stationary knife **1** (screws **2**) in accordance with the **requirement**.



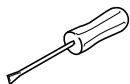
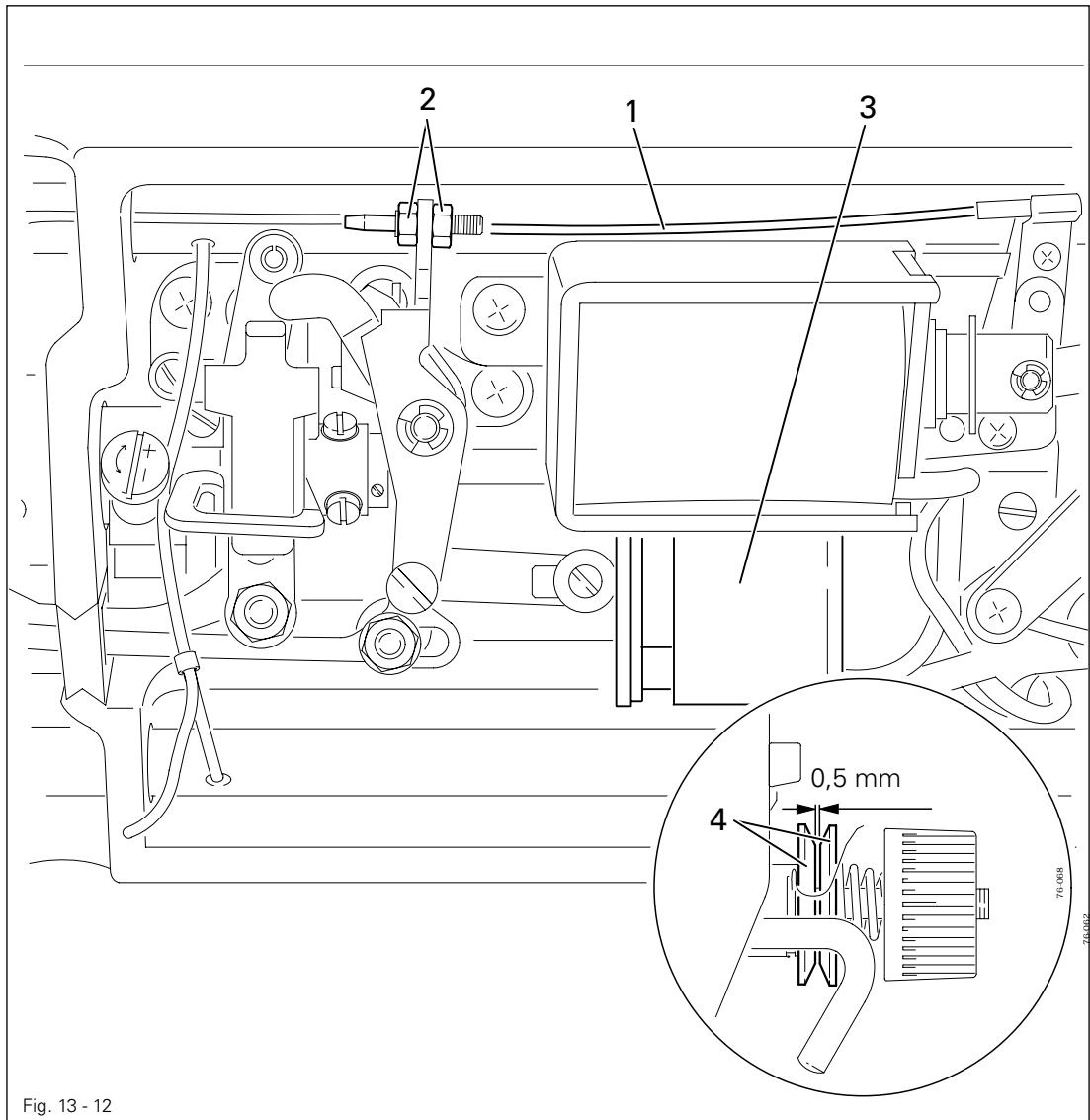
For technical reasons it may be necessary to alter the specified basic position: Move stationary knife **1** towards "+" (= more thread) or towards "-" (= less thread).

Adjustment

13.06.04 Needle thread tension release

Requirement

When magnets 3 are attracted, there should be a distance between the tension disks 4 of at least 0.5 mm.

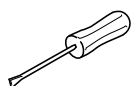
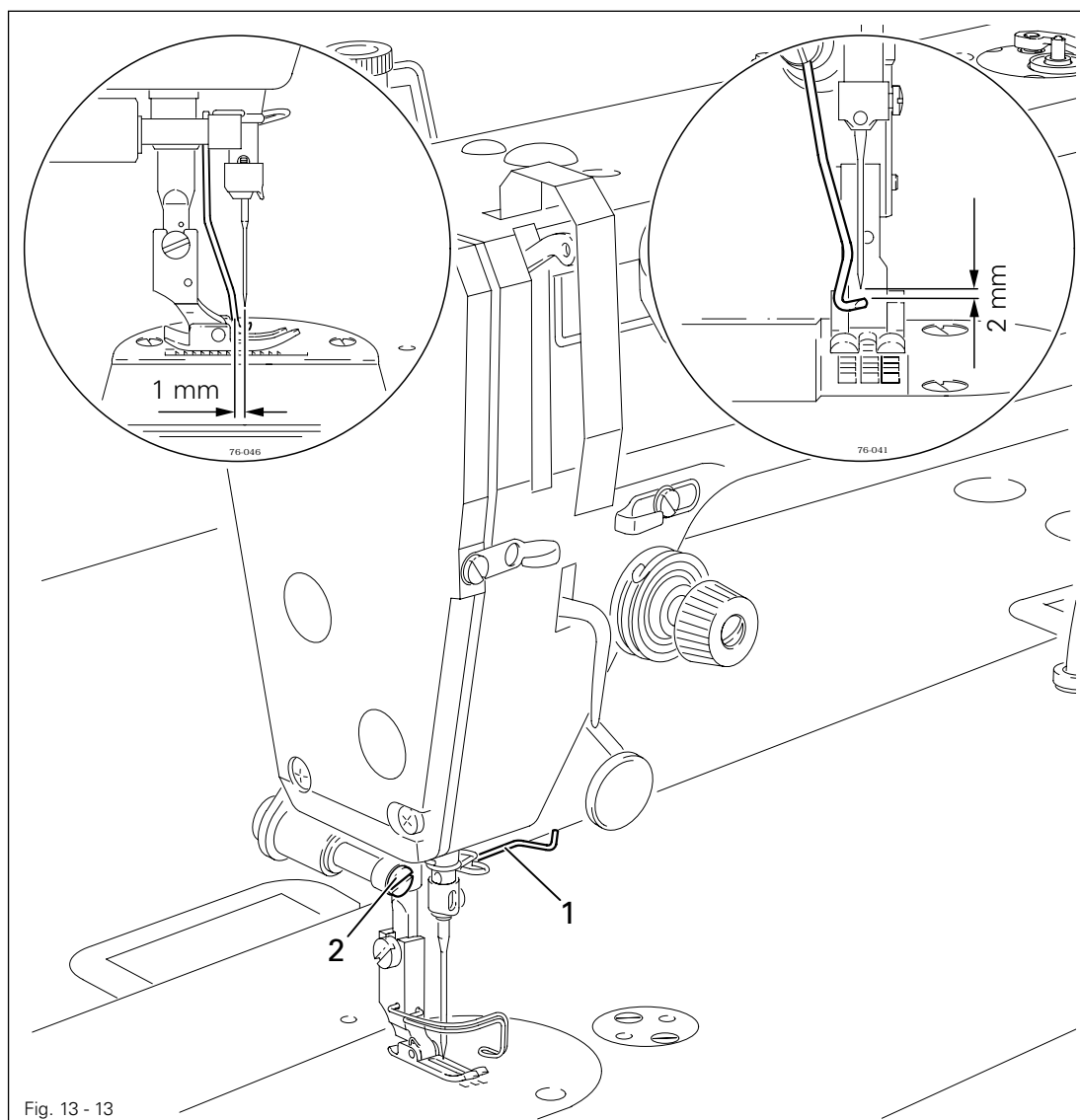


- Adjust tension cable 1 (nuts 2) in accordance with the **requirement**.

13.07 Adjusting the thread wiper -909/93

Requirement

1. During its movement thread wiper 1 should not have any contact.
2. When the take-up lever is at its t.d.c., and the thread wiping device is switched on, the thread wiper 1 should pass behind the needle point with a clearance of approx. 1 mm and under it with a clearance of approx. 2 mm.



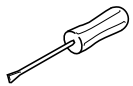
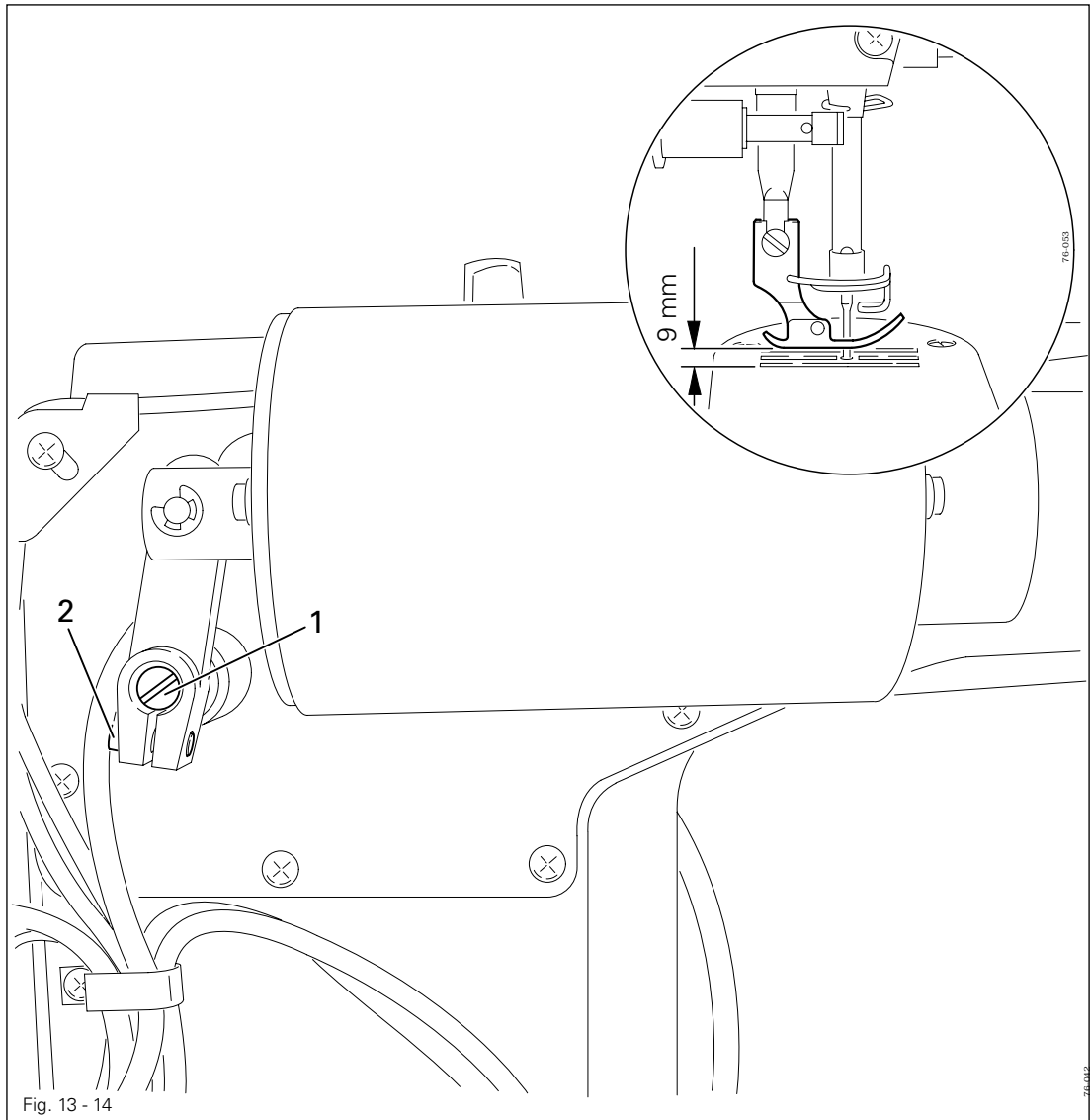
- Adjust the thread wiper 1 (screw 2) in accordance with the requirements.

Adjustment

13.08 Adjusting the automatic presser foot lift -910/93

Requirement

When the automatic presser foot lift is operated, the presser foot should be **9 mm** above the needle plate.



- Adjust shaft 1 (screw 2) in accordance with the requirement.

13.09 Adjusting the backtacking mechanism -911/93

Requirement

When the reverse feed switch 3 (reverse sewing) is operated, the stitch length should be the same as during sewing.

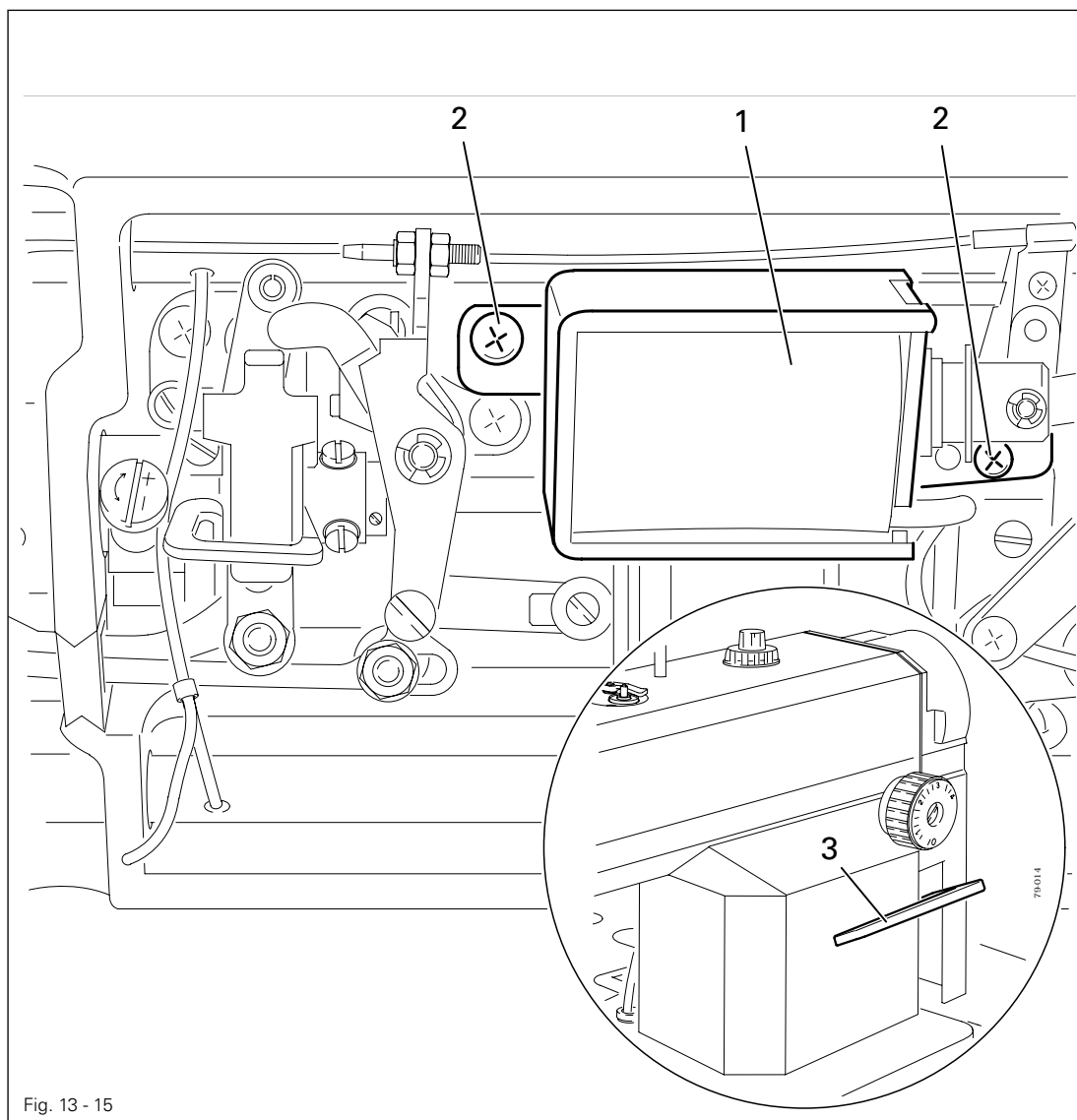
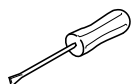


Fig. 13 - 15



- Adjust solenoid 1 (screws 2) in accordance with the requirement.

13.10 Parameter settings

(only on machines with Quick-PicoDrive and control unit P43 PD)

- The selection of the user level and the alteration of parameters is described in the separate instruction manual for the drive unit.

13.10.01 Parameter list

Group	Parameter	Description	User level	Setting range	Set value
1	105	Speed for start backtackl	B, C	300 - 2000	1200
	110	Speed for end backtack	B, C	300 - 2000	1200
6	606	Speed min	B, C	120 - 800	180
	607	Speed max.	B, C	300 - 6000	▲
	609	Cutting speed 1	B, C	100 - 700	180
7	700	Needle position 0 (needle reference position)	B, C	0 -255	*
	702	Needle position 1 (needle lowered	B, C	0 - 255	107
	703	Needle position 2 (take-up lever raised)	B, C	0 - 255	240
	705	Needle position 5 (end cutting signal 1)	B, C	0 - 255	200
	706	Needle position 5 (start cutting signal 2)	B, C	0 - 255	130
	707	Needle position 9 (start thread tension release/start thread catcher)	B, C	0 - 255	164
	797	Hardwaretest (OFF / ON)	B, C		OFF
	799	Selected machine class	C	1 - 5	1
8	800	Rotating direction of the motor	C	0 - 1	1
	802	Main drive reduction ratio 0 = 1:1 1 = variablel	C	0 - 1	1

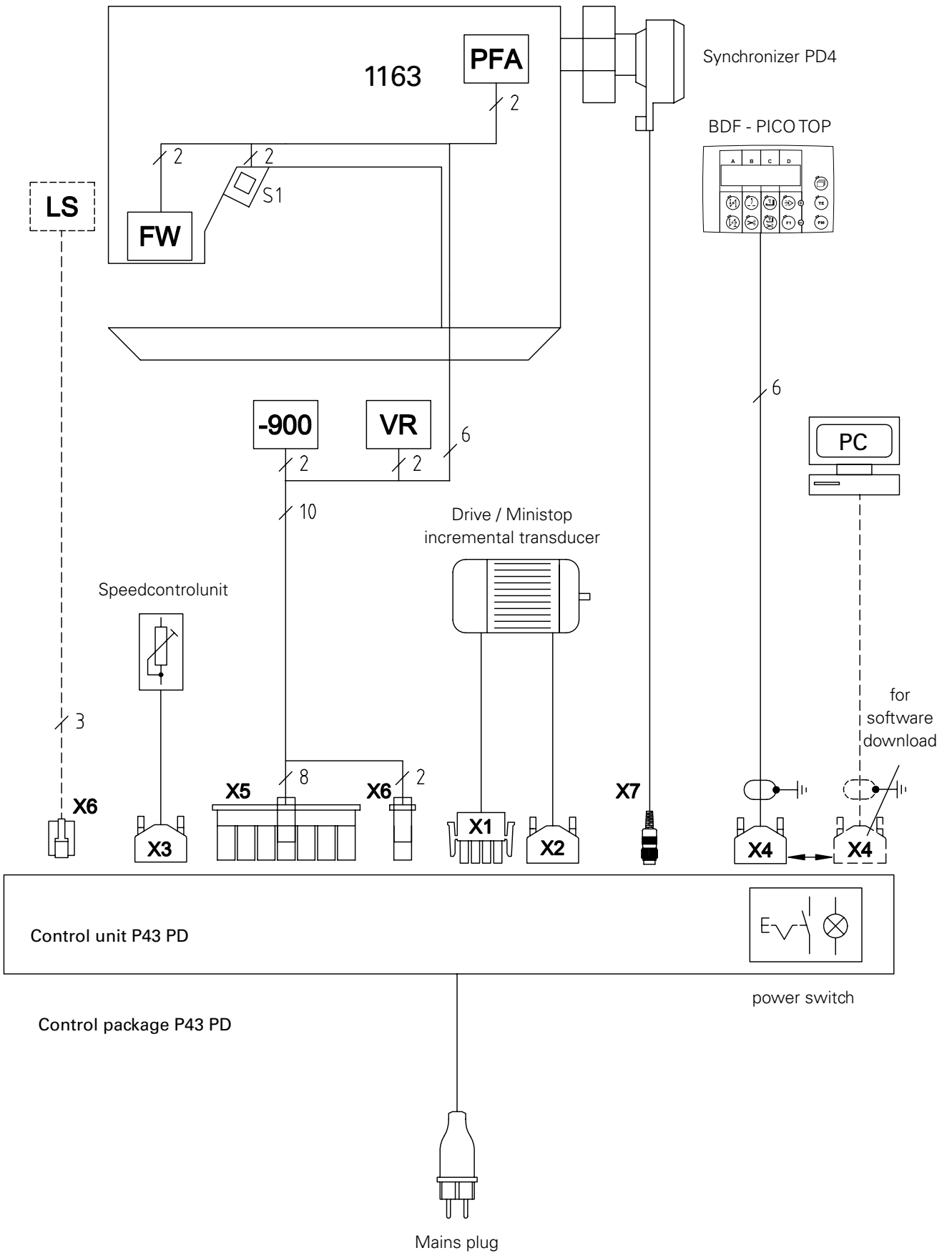
▲ See Chapter 3 Specifications

* Adjustment see Chapter 8.05 Basic position of the machine drive unit.



Further parameters and the description for an internet update of the machine software and reset /cold start of the machine can be found in the instruction manual for the control panel.

14 Block diagram PFAFF 1163 with control unit P43 PD





Europäische Union
Wachstum durch Innovation – EFRE

PFAFF Industriesysteme und Maschinen AG

Hans-Geiger-Str. 12 - IG Nord
D-67661 Kaiserslautern

Phone: +49-631 200-0
Fax: +49-631 17202
E-mail: info@pfaff-industrial.com

Hotlines:

Technical service: +49-175/2243-101
Application consultancy: +49-175/2243-102
Spare-parts hotline: +49-175/2243-103